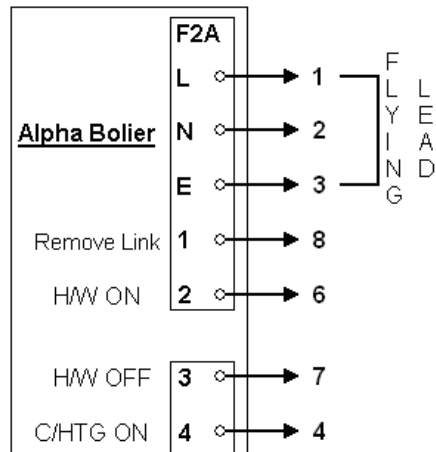
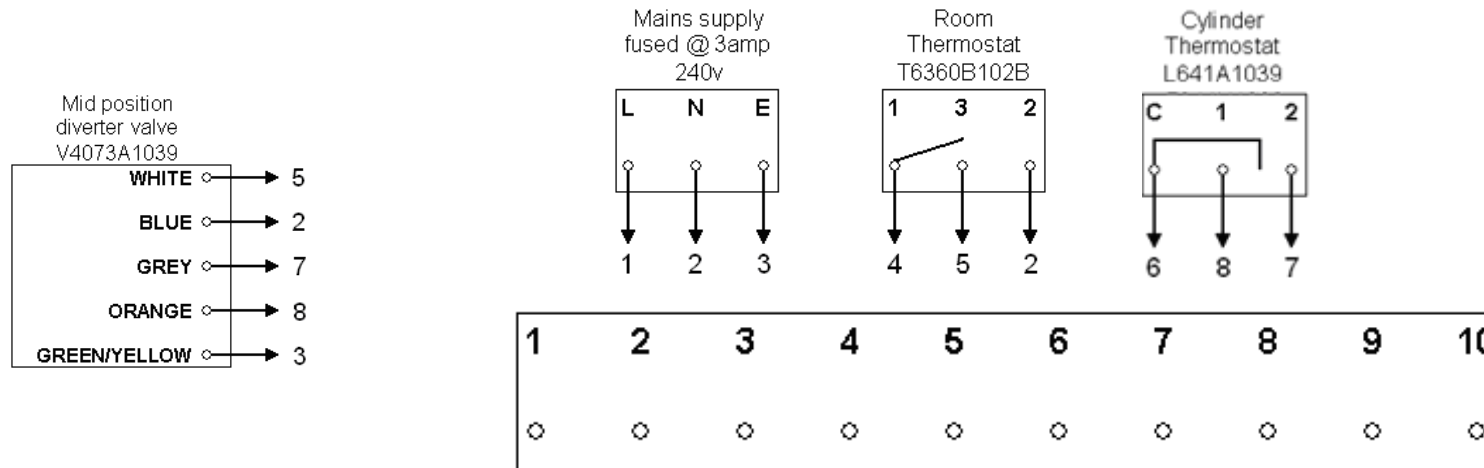


**\* A System with automatic by-pass valve is required \***

**Wiring diagram for use with an Alpha CD12S, CD20S & CD28S with a plug  
In Alpha 7-day digital 2 channel heating clock + Honeywell Y plan.**



**NOTE:** To connect external control, remove link from terminals 1 and 2 and connect a 230/240v switched live to terminal 1

**NOTE:** If you would like the option of the 2 channel Easy Stat. Please place a link between 4 and 5 on the wiring center and omit the room thermostat

- 5◊ **WHITE**
  - 4◊ **GREY**      Alpha 7-Day Digital 2 Channel Heating Clock
  - 3◊ **BLACK**
  - 2◊ **BLUE**
  - 1◊ **BROWN**
- Connect clock terminals spade connectors to wires provided inside control panel i.e.:
- 1= Brown to clock terminal 1.
  - 2= Blue to clock terminal 2.
  - 3= Black to clock terminal 3.
  - 4= Grey to clock terminal 4.
  - 5= White to clock terminal 5.

